

**3036WCWC • 36" Wine Captain® Model • Modular 3000 Series**

**FEATURES & BENEFITS**



STAINLESS FRAME



STAINLESS FRAME (LOCK)



STAINLESS FRAME (HANDLELESS PANEL)\*



INTEGRATED FRAME



INTEGRATED SOLID



STAINLESS SOLID (HANDLELESS PANEL)\*

<b>PERFORMANCE</b>	<ul style="list-style-type: none"> <li>• Volume of 7.0 cu ft holds up to 62 wine bottles (750 ml)</li> <li>• U-Select® Control with digital OLED display</li> <li>• Temperature range: 38°F - 65°F</li> <li>• Convection cooling system rapidly and efficiently takes items to the set temperature</li> <li>• U-Select® Control has three distinct modes: Sparkling Wine: 38°F - 50°F, White Wine: 45°F - 55°F, Red Wine: 55°F - 65°F</li> <li>• Independently controlled dual-zones</li> <li>• Rubber mounted compressor virtually eliminates vibration</li> </ul>
<b>INTERIOR/EXTERIOR</b>	<ul style="list-style-type: none"> <li>• Black interior is illuminated with LED theater lighting that automatically turns off when the door is closed, or can be set to stay on for 3, 6, or 24 hours</li> <li>• Full extension black vinyl coated wine racks allow for easy access and prevent bottles from shifting</li> <li>• Wine racks accommodate a variety of bottle shapes and sizes; the fourth and fifth racks allow for larger diameter wine and champagne bottles</li> <li>• LowE coated, argon gas filled triple thermopane glass door provides protection from harmful UV light</li> <li>• Standard commercial stainless steel handle are interchangeable with professional handle accessory</li> <li>• Door lock model available</li> </ul>
<b>INTEGRATION</b>	<ul style="list-style-type: none"> <li>• Robust, concealed and covered hinges with built-in door stop and closer</li> <li>• Adjustable grille can be shifted front-to-back and up-and-down</li> <li>• Integrated model requires ¾" custom panel of your choice, or can accept U-Line Euro Style Handleless Stainless Panel Accessory (must be ordered separately)</li> <li>• Grille can accept an integrated toe-kick</li> <li>• Four independently adjustable leveling legs; rear legs are adjustable from the front for ease of installation</li> </ul>

**MODEL DETAILS**

Model	Voltage/Hz	Door Swing	Finish	Shipping Weight
U-3036WCWCS-00B	115 / 60	Double Doors	Stainless Frame	252 lb
U-3036WCWCS-13B	115 / 60	Double Doors	Stainless Frame (Lock)	252 lb
U-3036WCWCINT-00B	115 / 60	Double Doors	Integrated Frame	235 lb
U-3036WCWCINT-60B	115 / 60	Double Doors	Integrated Solid	234 lb

**ACCESSORIES**

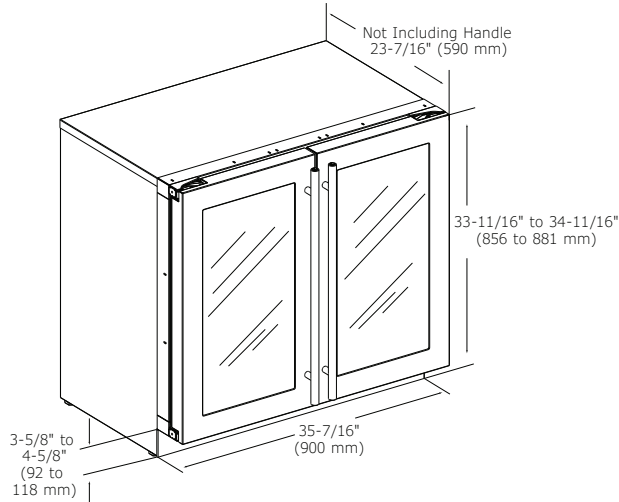
Model	Description	Finish	Shipping Weight
80-54247-00	Professional Door Handle, 1 ¼" Diameter (single handle)	Stainless	2 lb
80-54214-00	Commercial Door Handle, 7/8" Diameter (single handle)	Stainless	2 lb
U-ESPF45S*	Euro Style Handleless Panel, 18" Frame (single panel)	Stainless	6 lb
U-ESP45S*	Euro Style Handleless Panel, 18" Solid (single panel)	Stainless	9 lb

\*Installs on integrated models, 2 panels required.

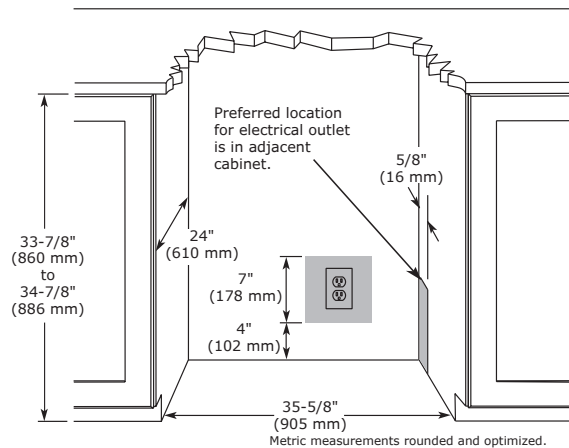
Modular 3000 Series • 36" Wine Captain® Model • **3036WCWC**

**DIMENSIONS**

Dimensions shown apply to all finishes, including Integrated (INT) models with 3/4" integrated panel/frame installed.



**CABINET CUT-OUT**



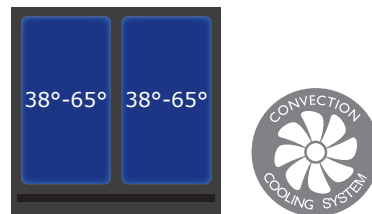
**INSTALLATION NOTES**

- When installing adjacent to wall, ensure 2 1/2" clearance on hinged side for 90° door opening, allowing ample room for door handle.
- No additional clearance around sides, top or rear of unit is needed for ventilation.
- Do not obstruct front grille air flow.

**SPECIFICATIONS**

Model	3036WCWC
Amps: Running	1.2
Capacity: Volume (cu ft)	7.0
Capacity: Wine Bottle (750 ml)	62
Control Type	U-Select®
Dimensions: Product Depth	23 7/16" / 590 mm
Dimensions: Product Height	33 11/16" / 856 mm
Dimensions: Product Width	35 7/16" / 900 mm
ENERGY STAR	N/A
Panel Height	30" / 762 mm
Panel Thickness	3/4" / 20 mm
Panel Type	2 3/4" / 70 mm Frame Panel or Solid Panel (-60 suffix)
Panel Width	17 5/8" / 445 mm
Product Weight: Max	226 lb
Refrigerant Type	R600a
Sabbath (Star K Certified)	Yes
Temperature Range	38°F - 65°F

**COOLING SYSTEM**



**ELECTRICAL REQUIREMENTS**

This unit requires a grounded, polarized 115 VAC, 60 Hz, 15 A power supply (normal household current).



Please visit [U-Line.com](http://U-Line.com) to view this model's User Guide. All specifications are subject to change without notice.